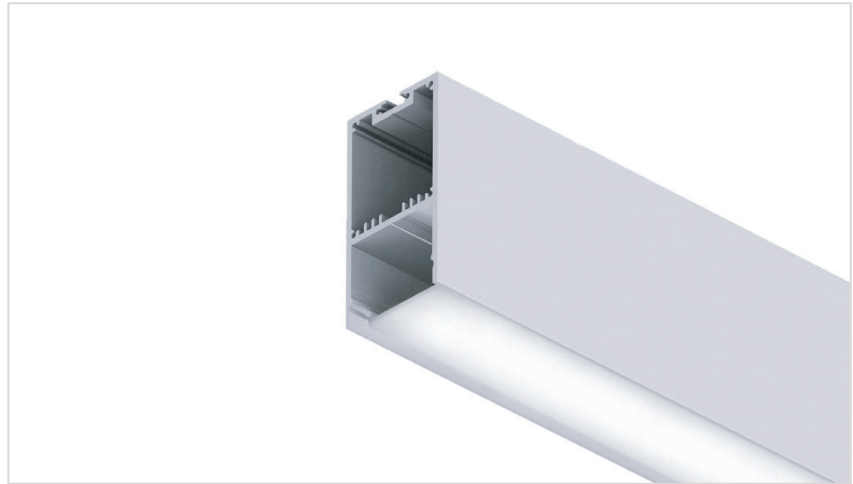




MINIATURE LINEAR PROFILE

MLP-30



PROJECT

TYPE NO.

DATE



IP33



CE



NATURAL ANODISED

DESCRIPTION

HOUSING

Aluminium, Polycarbonate End-Caps

MOUNTING TYPE

Surface-Mounted

LED MODULE

Astroled Tape

DRIVER

Osram, Tridonic, Meanwell

DIMMING OPTIONS

DALI, Touch Dim, DSI, or 1-10V

INPUT VOLTAGE

220V-240V AC/50Hz-60Hz

OPERATING TEMPERATURE RANGE

-20°C to +40°C

MAINTENANCE OF LUMEN

L70 50,000 hours at 25°C

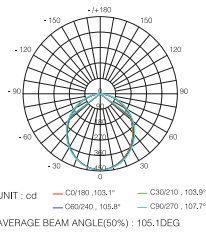
DRIVER LIFETIME

50,000 hours

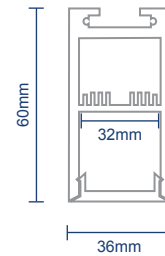
SYSTEM WARRANTY

3 Years

PHOTOMETRIC DATA



SECTION SIZE



STANDARD ACCESSORIES



End Cap x4



Mounting Clips x8



OPTIONAL ACCESSORIES



Pendant Wire



Extending Connector



Recessing Clips

PARAMETERS

MODEL	LIGHT SOURCE	LED QTY	MIN CUT	FPC WIDTH	LUMENS	LED POWER	CRI	CCT	VOLTAGE	DIMENSIONS
MLP-30 (SM)	LED TAPE	280/m	14/50mm	15mm	2550lm/m	20W/m	≥80	3000K 4000K	24V	2500 x 36 x 67mm