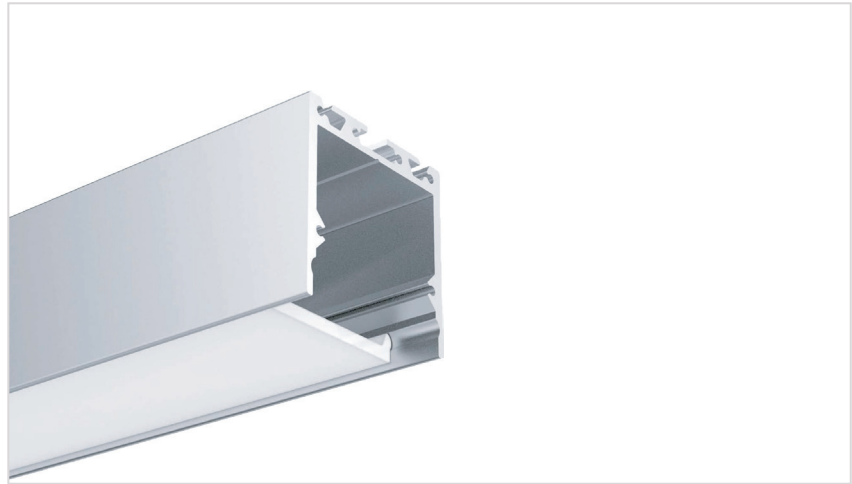




ALUMINIUM EXTRUSION

MLP-35



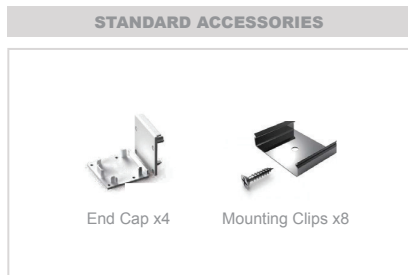
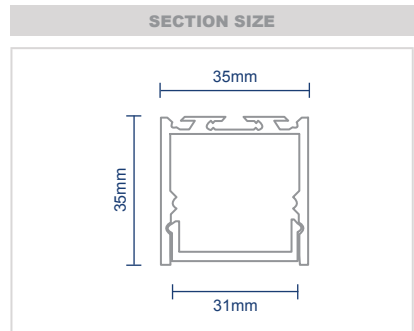
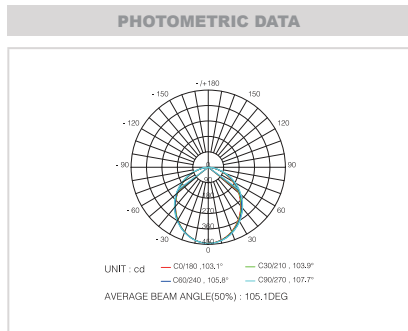
PROJECT

TYPE NO.

DATE



DESCRIPTION
HOUSING
Aluminium, Polycarbonate End-Caps
MOUNTING TYPE
Surface
LED MODULE
Astroled Tape
DRIVER
Osram, Tridonic, Meanwell
INPUT VOLTAGE
220V-240V AC/50Hz-60Hz
OPERATING TEMPERATURE RANGE
-20°C to +40°C
MAINTENANCE OF LUMEN
L70 50,000 hours at 25°C
DRIVER LIFETIME
50,000 hours
SYSTEM WARRANTY
3 Years



PARAMETERS											
MODEL	DIMENSIONS	LIGHT SOURCE	LED QTY	IP	MIN CUT	FPC WIDTH	LUMENS	LED POWER	CRI	CCT	VOLTAGE
MLP-35	2500 x 35 x 35mm	LED TAPE	120/m	33	6/50mm	8mm	1270lm/m	14.4W/m	≥80	3000K 4000K	24V

*Technical information based on AL-TV-14 LED tape, for other types, please refer to Astro-LED Tape.