

PROJECT	TYPE NO.	DATE

TRACK SPOTLIGHT

ORION-302



IP20



CE



RoHS



90°



350°



BLACK



GREY



WHITE

HOUSING

Aluminium Electrostatically applied Powder Coat

MOUNTING RING & GEAR BOX

Aluminium Die-Cast
Electrostatically applied Powder Coat

HEAT SINK

Aluminium Anodised Coating

REFLECTOR

Aluminium Anodised Specular Silver

INSTALLATION

3-Phase or Single-Phase Track (PC)

LED MODULE

Cree
Optional: Philips, Osram, Tridonic

DRIVER

Integral Philips, Osram, Tridonic

INPUT VOLTAGE

220V-240V AC/50Hz-60Hz

OPERATING TEMPERATURE RANGE

-20°C to +40°C

MAINTENANCE OF LUMEN

L70 50,000 hours at 25°C

DRIVER LIFETIME

50,000 hours

SYSTEM WARRANTY

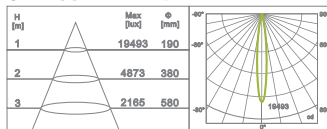
5 years



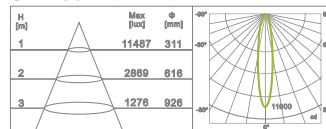
MODEL	LED	LUM. LUMENS*	SYS. POWER*	CRI	CCT	BEAM ANGLE	DIMENSIONS
ORN-302	CREE	1420lm	20W	≥80	3000K	10°	(ø110 x 143) + (168 x 90 x 45)mm
		1500lm			4000K		
ORN-302	CREE	2100lm	28W	≥80	3000K	20°, 24°, 30°, 40°, 55°	(ø110 x 143) + (168 x 90 x 45)mm
		2200lm			4000K		
ORN-302	CREE	2900lm	35W	≥80	3000K	20°, 24°, 30°, 40°, 55°	(ø110 x 143) + (168 x 90 x 45)mm
		3000lm			4000K		

PHOTOMETRIC DATA

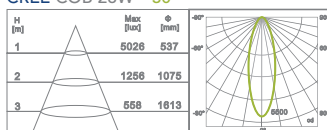
CREE COB 22W - 10°



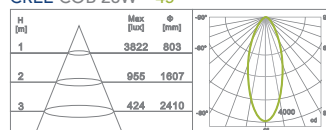
CREE COB 28W - 20°



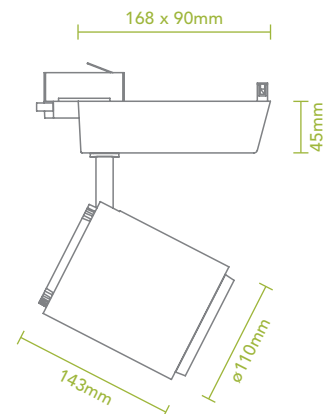
CREE COB 28W - 30°



CREE COB 28W - 45°



SECTION SIZE



MAXLIGHT

MAXLIGHT RESERVES RIGHTS TO INTRODUCE ANY CONSTRUCTION OR TECHNICAL CHANGES IN THE PRODUCTS. WATTAGE OF PRODUCTS MAY VARY DUE TO CONSTANT LED EFFICACY IMPROVEMENTS. VALUES MARKED WITH AN * ARE RATED VALUES. LUMINAIRE LUMINOUS FLUX AND SYSTEM WATTAGE ARE SUBJECT TO AN INITIAL TOLERANCE OF +/- 10%. ALL VALUES STATED AT AN AMBIENT TEMPERATURE OF 25°C.