



SLIMLINE PROFILE

SLP-13



PROJECT

TYPE NO.

DATE



IP20



CE



NATURAL ANODISED

DESCRIPTION

HOUSING

Aluminium, Polycarbonate End-Caps

MOUNTING TYPE

Surface

LED MODULE

Astroled Tape

DRIVER

Osram, Tridonic, Meanwell

DIMMING OPTIONS

DALI, Touch Dim, DSI, or 1-10V

INPUT VOLTAGE

220V-240V AC/50Hz-60Hz

OPERATING TEMPERATURE RANGE

-20°C to +40°C

MAINTENANCE OF LUMEN

L70 50,000 hours at 25°

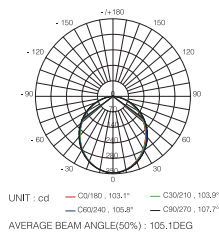
DRIVER LIFETIME

50,000 hours

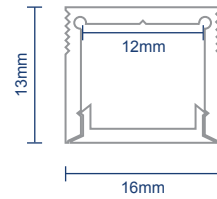
SYSTEM WARRANTY

3 Years

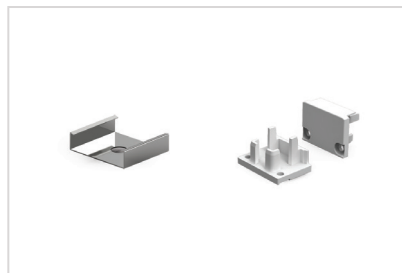
PHOTOMETRIC DATA



SECTION SIZE



STANDARD ACCESSORIES



PARAMETERS

| MODEL | LIGHT SOURCE | LED QTY | MIN CUT | FPC WIDTH | LUMENS | LED POWER | CRI | CCT | VOLTAGE | DIMENSIONS |
|--------|--------------|---------|---------|-----------|----------|-----------|-----|-------|---------|------------------|
| SLP-13 | LED TAPE | 120/m | 6/50mm | 8mm | 1450lm/m | 14.4W/m | ≥80 | 3000K | 24V | 2500 x 16 x 13mm |



SLIMLINE PROFILE

SLP-13



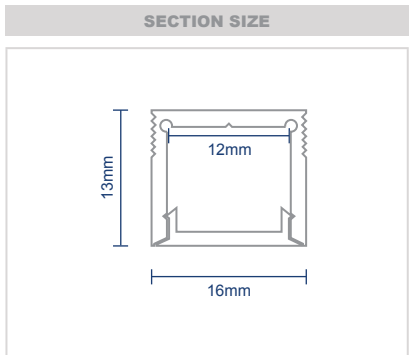
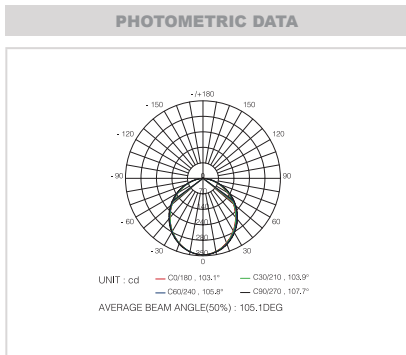
PROJECT

TYPE NO.

DATE



| DESCRIPTION |
|------------------------------------|
| HOUSING |
| Aluminium, Polycarbonate End-Caps |
| MOUNTING TYPE |
| Surface |
| LED MODULE |
| Astroled Tape |
| DRIVER |
| Osram, Tridonic, Meanwell |
| DIMMING OPTIONS |
| DALI, Touch Dim, DSI, or 1-10V |
| INPUT VOLTAGE |
| 220V-240V AC/50Hz-60Hz |
| OPERATING TEMPERATURE RANGE |
| -20°C to +40°C |
| MAINTENANCE OF LUMEN |
| L70 50,000 hours at 25° |
| DRIVER LIFETIME |
| 50,000 hours |
| SYSTEM WARRANTY |
| 3 Years |



PARAMETERS

| MODEL | LIGHT SOURCE | LED QTY | MIN CUT | FPC WIDTH | LUMENS | LED POWER | CRI | CCT | VOLTAGE | DIMENSIONS |
|--------|--------------|---------|---------|-----------|----------|-----------|-----|-------|---------|------------------|
| SLP-13 | LED TAPE | 120/m | 6/50mm | 10mm | 1550lm/m | 14.4W/m | ≥80 | 4000K | 24V | 2500 x 16 x 13mm |

We reserve rights to introduce any construction or technical changes in the products. Wattage of products may vary due to constant LED efficacy improvements. Photometric files available upon request.